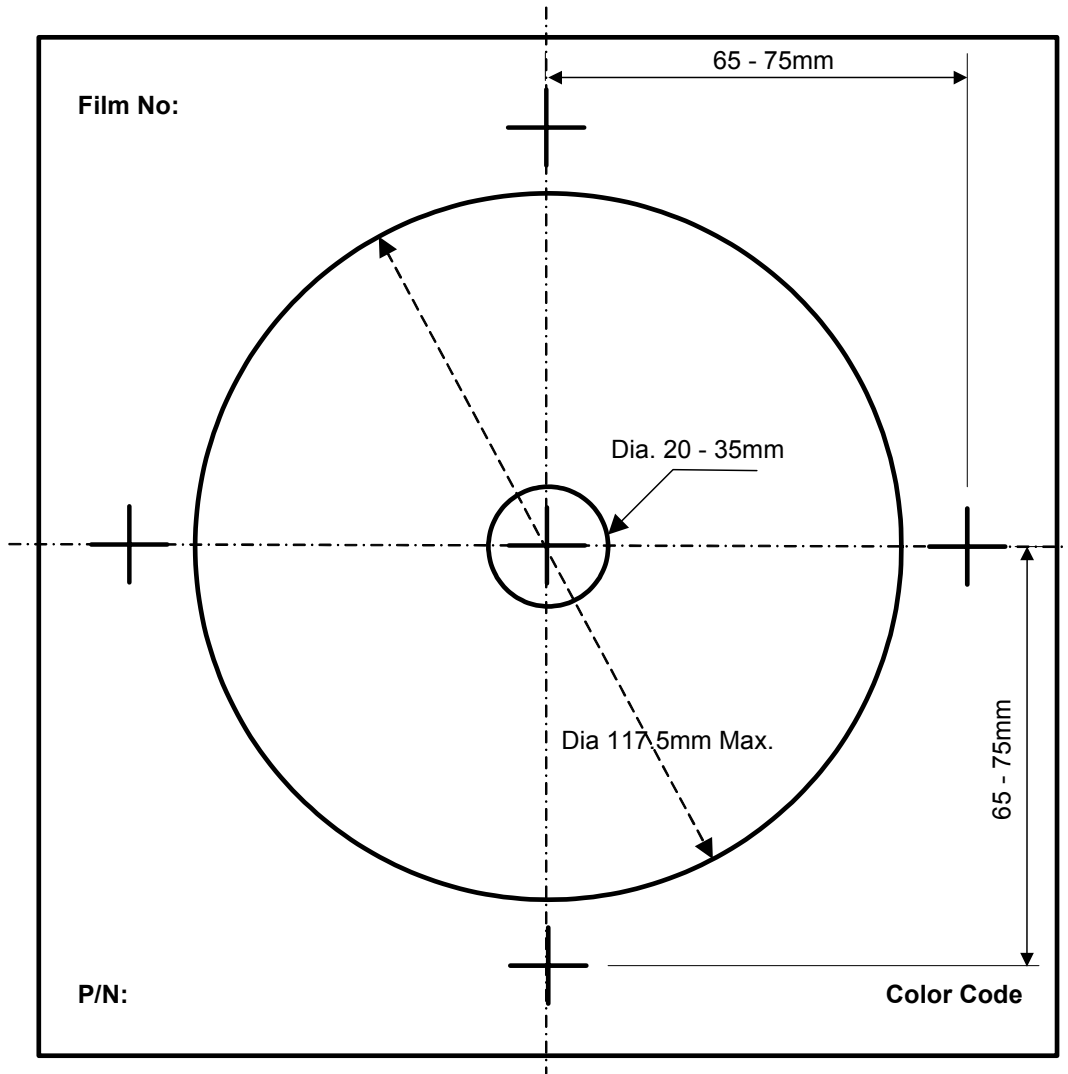


Amber's Media Pte Ltd

Standard
STD-BM-001 Rev. 0

120 mm CD Printing Film Specification

5th February 2004



Offset Printing Base Film Criteria		
1	Half-Tone	Max. 120 lines / inch
2	Color Film	Positive Emulsion Up
3	Color Code	Indicate on film
4	Registration Markers	Qty 5 as indicate (See Above), 65 - 75mm from centre
5	Print Area	From Dia. 20 - 117.5 mm, or From Dia. 35 - 117.5 mm
6	Size	165 mm by 165 mm

Drawing not in scale